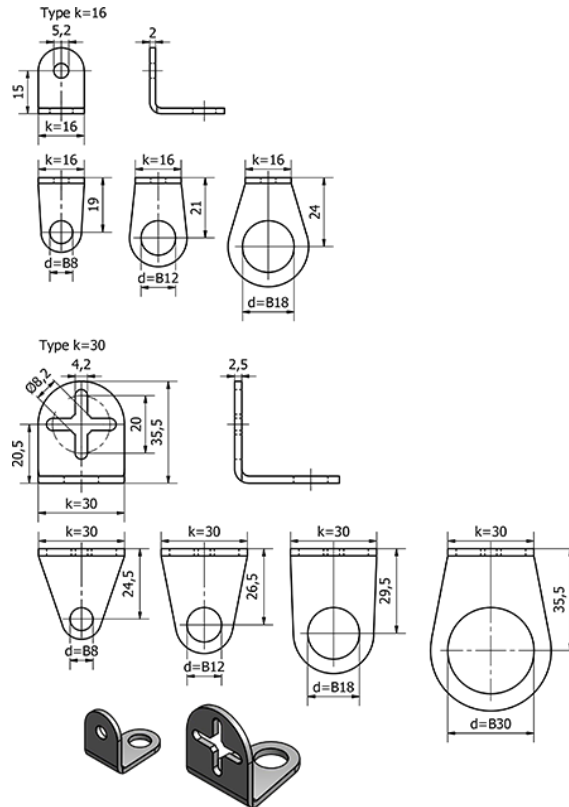


Article number: 20479B1216

Description: E+G Sensor holders - GN 479-B12-16

Measures



d = 12

k = 16

Weight (g) = 10